

CASE
CONSTRUCTION

TR310
COMPACT TRACK LOADER



TR310 Compact Track Loader

HEAVY-DUTY, YET LIGHT ON ITS FEET.

Introducing the TR310 – the most powerful and efficient medium-frame compact track loader in our lineup. Building upon the strength and popularity of our TR270, the TR310 offers best-in-class power thanks to larger lift cylinders as well as a maintenance-free Tier 4 Final solution.

It also is designed with wider tracks to improve stability and lower ground pressure down to an impressive 5.0 psi (32.5 kPa). More strength and stability – just what operators have been asking for. And it's finally here.



TR310 Highlights

- 1 Best-in-class 360° visibility** thanks to a cab-forward design, skylight, ultra-narrow wire side screens and large, rounded rear window.
- 2 Maintenance-free Tier 4 Final solution** meets emissions regulations without needing a replacement filter or additional fluids.
- 3 Best-in-class torque, breakout force and auxiliary flow** to tackle demanding applications.
- 4 One of the largest cabs in the industry** with optional upgraded climate control system and radio for year-round operator comfort.
- 5 EZ-EH setup menu** provides nine adjustable speed and control sensitivity settings to easily tailor the machine to the application or operator preference.
- 6 Industry-exclusive detents** in the handles provide the responsiveness of pilot controls with the convenience of electrohydraulic.
- 7 Radial lift pattern** provides superior strength for digging, prying and pushing, as well as maximum reach at head height for easy loading or unloading of flatbed trucks.
- 8 Wide S'Wave tracks** with a width of 15.6 in. (400 mm) provide excellent stability and low ground pressure.
- 9 Large 19.5 gal (73.8 L) fuel tank** allows loader to run all day without refueling.
- 10 Industry-exclusive standard side lighting** and heavy-duty front lights for greater all-around visibility while working at night or in dark locations.
- 11 Standard Connect Under Pressure (CUP) manifolds** for quick, tool-free auxiliary hydraulic connection and disconnection.
- 12 Large counterweight** – the same size counterweight as large-frame models – increases tip capacity for better balance and performance.

Bigger Tracks for Better Performance.

With S'Wave tracks that measure 15.6 in. (400 mm) across, the TR310 has a total width of 74.3 in. (1 888 mm). This wider stance provides excellent stability, better tractive effort and a low ground pressure of only 5.0 psi (32.5 kPa). The TR310 offers best-in-class torque, breakout and auxiliary flow, giving it the versatility to power a wide range of attachments. And its radial lifting path provide maximum strength for digging and pushing applications.



Maintenance-Free Tier 4 Final Solution.

The TR310 incorporates a PM Catalyst + DOC* solution to meet Tier 4 Final emissions standards. What does that mean to you? We're proud to say – nothing. It's compliance that requires no extra work. No extra fluid to add. No filters to replace. Just get in and go. A large, 19.5-gallon (73.8 L) fuel tank also enables this loader to run all day without refueling.



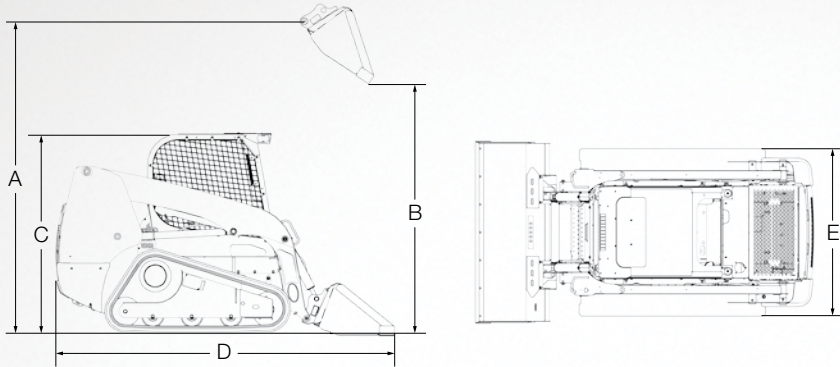
*Particulate Matter Catalyst and Diesel Oxidation Catalyst

Best-in-Class Torque, Breakout and Auxiliary Flow.

This medium-frame compact track loader pushes the boundaries when it comes to power. The TR310 delivers best-in-class torque of 232 lb-ft (314 N·m) and breakout force of 8,680 lb. (39.4 kN) to lift, dig and pry more. It also boasts the industry's best standard aux. flow of 24.2 gpm (91.5 L/min) and high flow of 32.4 gpm (122.6 L/min) so you can power a wider range of attachments from 4 IN 1® buckets and grapples to snow blowers and cold planers.



TR310



Line drawings are for illustrative purpose only and may not be exact representation of unit.

DIMENSIONS

TR310

A. Height To Bucket Hinge Pin	123 in. (3 124 mm)
B. Dump Height With Foundry Bucket	98.2 in. (2 495 mm) @ 39.6°
C. Height To Top Of ROPS	78.7 in. (1 998 mm)
D. Overall Length With Foundry Bucket	129.6 in. (3 292 mm)
E. Over The Track Width	74.3 in. (1 888 mm)

SPECIFICATIONS	TR310
Engine Make/Model	F5H FL463 A*F001
Emissions Certification	Tier 4 Final (PM Catalyst)
Gross HP - hp (kW)	74 (55)
Net HP - hp (kW)	68 (51)
Peak Torque - lb-ft (N·m)	232 (314)
Displacement/ Cylinders - in. ³ (L)	3.4 (207)/4
Rated Operating Capacity - ROC 50% - lb. (kg)	3,100 (1 406)
Rated Operating Capacity - ROC 35% - lb. (kg)	2,170 (984)
Bucket Cylinder Breakout Force - lb. (kN)	8,680 (39.4)
Auxiliary Hyd. Standard/High Flow - gpm (L/min)	24.2 (91.5)/32.4 (122.6)
Operating Weight - lb. (kg)	8,880 (4 027)
Tipping Load - lb. (kg)	6,200 (2 810)
Lift Configuration	Radial

Maintenance Made Easy.

When you buy a CASE, you want it to last. We make it easy. That's why on Alpha Series compact track loaders, routine service points are all located at the rear of the machine so you can quickly access the engine, filters, fill points and whatever you need to properly maintain and extend the life of the machine. The tracks are also designed with lifetime sealed and oil lubricated rollers and idlers. And our easy-tilt cab provides easy access for repairs to the transmission.



Unmatched Rear Visibility.

Thanks to a low door threshold, the industry's thinnest side screens and a large rear window, the TR310 offers best-in-class 360° visibility making it easy to see the attachment, tracks and all around the machine.



©2015 CNH Industrial America LLC. All rights reserved. CASE is a trademark registered in the United States and many other countries, owned by or licensed to CNH Industrial N.V., its subsidiaries or affiliates. CNH Industrial Capital is a trademark in the United States and many other countries, owned by or licensed to CNH Industrial N.V., its subsidiaries or affiliates. Printed in U.S.A.

Form No. CCE201503TR310
Replaces Form No. CCE201411TR310



SAFETY™ NEVER HURTS

Always read the Operator's Manual before operating any equipment. Inspect equipment before using it, and be sure it is operating properly. Follow the product safety signs and use any safety features provided.

NOTE: All engines meet current EPA emissions regulations.
NOTE: All specifications are stated in accordance with SAE Standards or Recommended Practices, where applicable.



Contains 10%
post-consumer fiber

IMPORTANT: CASE Construction Equipment Inc. reserves the right to change these specifications without notice and without incurring any obligation relating to such change. Availability of some models and equipment builds vary according to the country in which the equipment is used. The illustrations and text may include optional equipment and accessories and may not include all standard equipment. Your CASE dealer/distributor will be able to give you details of the products and their specifications available in your area.



CASE construction equipment
is biodiesel-friendly.