



## **SJ8831 RT | SJ8841 RT** **ROUGH TERRAIN SCISSOR LIFTS**

Skyjack's Full-Size Rough Terrain Scissor Lifts deliver huge platforms, soaring work heights and heavy duty capacities—all in one package!

The SJ8831 RT and SJ8841 RT feature working heights of 11.45 m and 14.50 m respectively. Both models are drivable at full height, with capacities ranging to 909 kg allowing for maximized productivity.

As with every Skyjack model, these units use an analog based control system, featuring Skyjack's standard colour coded and numbered wiring, for ease of troubleshooting.



**SKYJACK**

# ROUGH TERRAIN SCISSOR LIFTS

## SPECIFICATIONS

SJ8831 RT SJ8841 RT

AS/NZS 1418.10:2011

<b>A Work Height</b>	11.45 m	14.50 m
<b>B Raised Platform Height</b>	9.45 m	12.50 m
<b>C Lowered Platform Height</b>	1.50 m	1.75 m
<b>D Overall Width</b>	2.20 m	2.20 m
<b>E Overall Length</b>	3.53 m	3.53 m
<b>F Stowed Height (Rails Up)</b>	2.67 m	2.90 m
<b>G Stowed Height (Rails Down)</b>	1.99 m	2.22 m
<b>H Platform Width (Inside Dimension)</b>	1.70 m	1.70 m
<b>Platform Length Stowed (Inside Dimension)</b>	3.40 m	3.40 m
<b>I Platform Length Extended (Inside Dimension)</b>	5.70 m	5.70 m
<b>Ground Clearance</b>	0.20 m	0.20 m
<b>Wheelbase</b>	2.27 m	2.27 m
<b>Weight</b>	5684 kg	6173 kg
<b>Gradeability</b>	30%	30%
<b>Turning Radius (Inside)</b>	4.01 m	4.01 m
<b>Turning Radius (Outside)</b>	6.30 m	6.30 m
<b>Lift Time (With Rated Load)</b>	46 sec	71 sec
<b>Drive Speed (Stowed)</b>	4.5 km/h	4.5 km/h
<b>Drive Speed (Raised)</b>	0.4 km/h	0.4 km/h
<b>Maximum Drive Height</b>	Full	Full
<b>Capacity (Overall)</b>	909 kg	681 kg
<b>Maximum # of Persons</b>	6	5

## STANDARD FEATURES

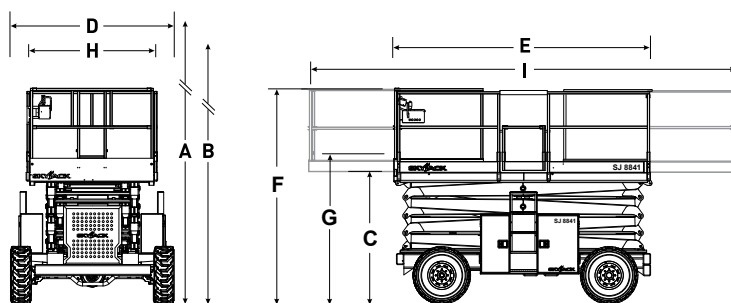
- Axle based 4WD system
- "Detroit Locker" type rear differential and limited slip front differential
- Drivable at full height
- Diesel engine on roll out tray
- Dual 1.22 m roll out extension decks
- Disc brake system on rear axle
- Independent/auto leveling outriggers
- 30% gradeability
- Wiring for AC outlet on platform
- Tilt alarm with drive & lift cut-out
- All motion audible alarm
- Overload sensing system
- Lowering warning system
- Lanyard attachment points
- Tie down/lift lugs
- Operator horn
- Flashing light
- Fold down hinged railing system
- Half height spring hinged gates on both sides
- Analog control system
- Colour coded and numbered wiring system
- 10 x 16.5 grip lug foam-filled tyres

## OPTIONS†

- Dual 1.22 m powered extension decks
- Diesel scrubber
- Shop airline to platform
- Full height spring hinged gates
- Cold weather start package (Includes hydraulic oil tank heater, battery blanket, block heater)
- Non-marking grip lug foam-filled tyres

† Capacities, and machine weights may differ when options are added

\* With standard tyres



**Skyjack Australia Pty Ltd**  
 4 Coates Place  
 Wetherill Park  
 New South Wales, 2164  
 Tel: +61 (0) 2878 63200  
 Fax: +61 (0) 2878 63222  
 Email: jcranmer@skyjack.com

www.skyjack.com

This brochure is for illustrative purpose only and based on the latest information at the time of printing. Skyjack Inc. reserves the right to make changes at any time, without notice, to specifications, standard and optional equipment. Consult the Operating Maintenance and Parts Manuals for proper procedures. AS marked platforms are in conformance to Standard AS/NZS 1418.10:2011.

Model	Capacity With 2 Extension Decks*		
	Main	Front Ext.	Rear Ext.
SJ 8831	454 kg	227 kg	227 kg
SJ 8841	227 kg	227 kg	227 kg



**SKYJACK™**